



EzCabling

Lite Trace Copper RJ45 Leads

Features:

- ⇒ Cable types
 - Cat 5 e
 - Cat 6
 - Cat 6 A
- ⇒ LSZH Sheath
- ⇒ Snag-less Connector Design
- ⇒ Meets or exceeds all applicable standards
 - TIA/EIA 568C.2
 - ISO/IEC 11801
 - ACMA

Unique Features:

Lite Trace

Attach the Trace Tester tool to the local/known end of the lead, turn the power on and both the local/known and remote/unknown end will light up

Push the Power Button and it will toggle between two modes, constant and flashing

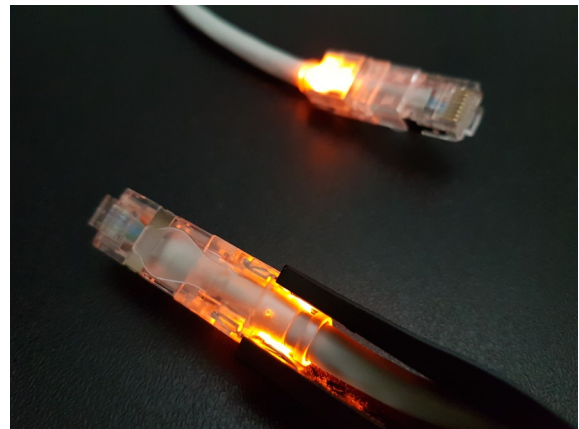
Description:

Looking for an easy method to trace your network connections in your crowded Data Centre or Equipment Cabinet infrastructure?

The answer is *LiteTrace Leads!*

Simply attached our Trace Tester tool to the rear of our *Lite Trace Lead* & we'll light the way

Fits with industry standard patch panels, network switches & Interface equipment



Part Number Breakdown

Product Series

Cable mode Cat 5e / Cat 6 / Cat 6A

Cable Length in metres

Sheath Colour

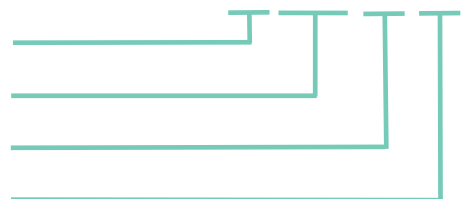
Lite Trace

C6A

0.5 metre

Blue

LT C6A 0.5 BL



1300 850 787

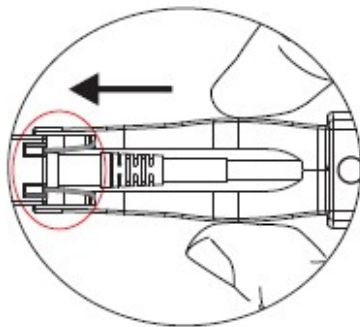
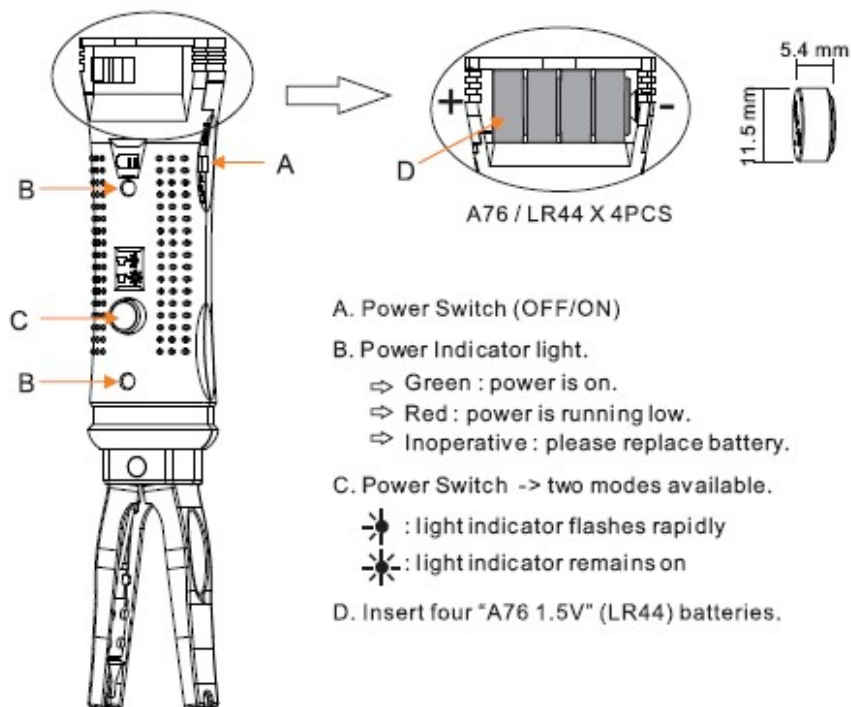
info@ezcabling.com.au

ezcabling.com.au

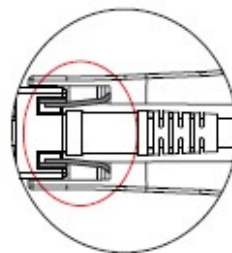


EzCabling

Tracing Tester User Guide



Rest tool folder between thumb and forefinger.



Insert the folder in the end of boot, press folder against the boot slightly.